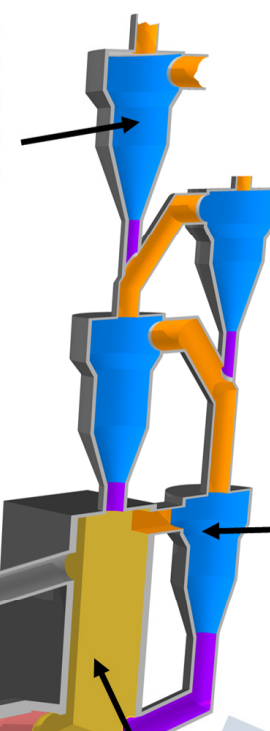


CYCLONS - HIGH STAGE

Pasek INSU 15/25 G		
Pasek 45 G		
Pasek 65 S		
Pasek 55 C		



TERTIARY AIR DUCT

Pasek INSU 15/25 G		
Pasek 45 G		
Pasek 65 S		
Pasek 85 SIC 9 S		
Pasek 55 C		

CYCLONS - LOW STAGE

Pasek INSU 15/25 G		
Pasek 35 SIC 5 G		
Pasek 35 SIC 9 G		
Pasek 85 SIC 5 S / G		
Pasek 30 ZIRSIC 10-5 G		
Pasek 35 SIC 5 C		
Pasek 35 SIC 9 C		
Pasek 85 SIC 9 C		
Pasek 30 ZIRSIC 10-5 C		

KILN HOOD

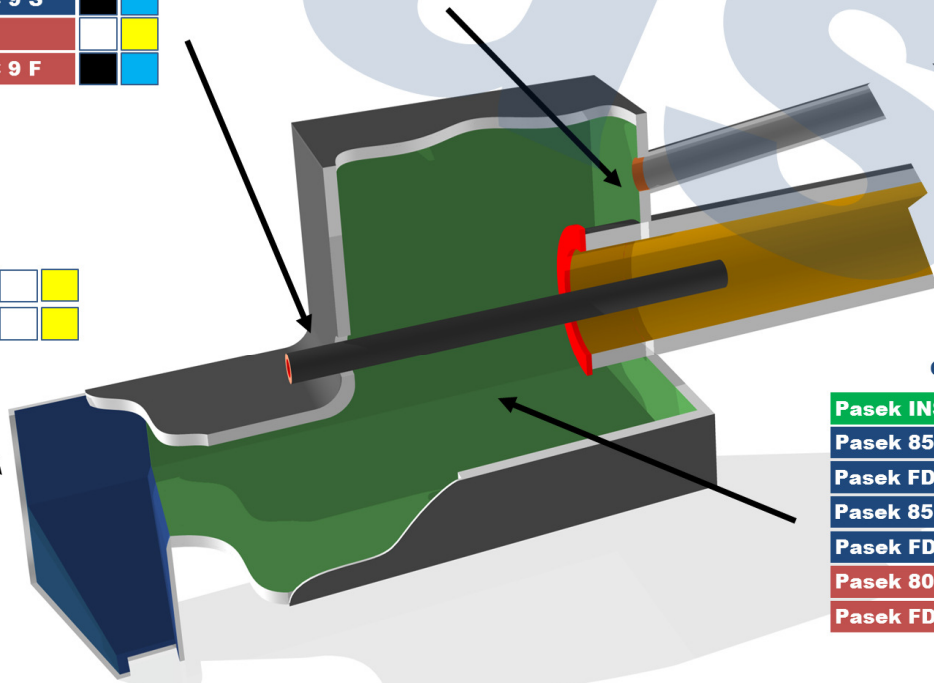
Pasek INSU 15/25 G		
Pasek 85 SIC 5 G		
Pasek FD 85 SIC 9 G		
Pasek 85 SIC 9 S		
Pasek FD 85 SIC 9 S		
Pasek 80 C		
Pasek FD 85 SIC 9 F		

COOLER BULL NOSE

Pasek INSU 15/25 G		
Pasek 85 SIC 5 G		
Pasek FD 85 SIC 9 G		
Pasek 85 SIC 9 S		
Pasek FD 85 SIC 9 S		
Pasek 80 C		
Pasek FD 85 SIC 9 F		

DUST HOPPER

Pasek ABRA G		
Pasek 80 HR C		



COOLER

Pasek INSU 15/25 G		
Pasek 85 SIC 5 G		
Pasek FD 85 SIC 9 G		
Pasek 85 SIC 9 S		
Pasek FD 85 SIC 9 S		
Pasek 80 C		
Pasek FD 85 SIC 9 F		

SMOKE CHAMBER

Pasek INSU 15/25 G		
Pasek 85 SIC 5 G		
Pasek 85 SIC 9 G		
Pasek 55 SIC 30 S		
Pasek 30 ZIRSIC 10-5 G		
Pasek 35 SIC 5 C		
Pasek 35 SIC 9 C		
Pasek 55 SIC 30 C		
Pasek 85 SIC 9 C		
Pasek 30 ZIRSIC 10-5 C		

Insulating	Aluminous Castable	Conventional Castable
Gunning / Shotcrete	Silicon Carbide Cast.	Fast Dry Castable
Castable	Zircon Castable	